

VERTICAL AXIAL ROOF FANS WITH ENERGY EFFICIENT FLAP LONG LIFE

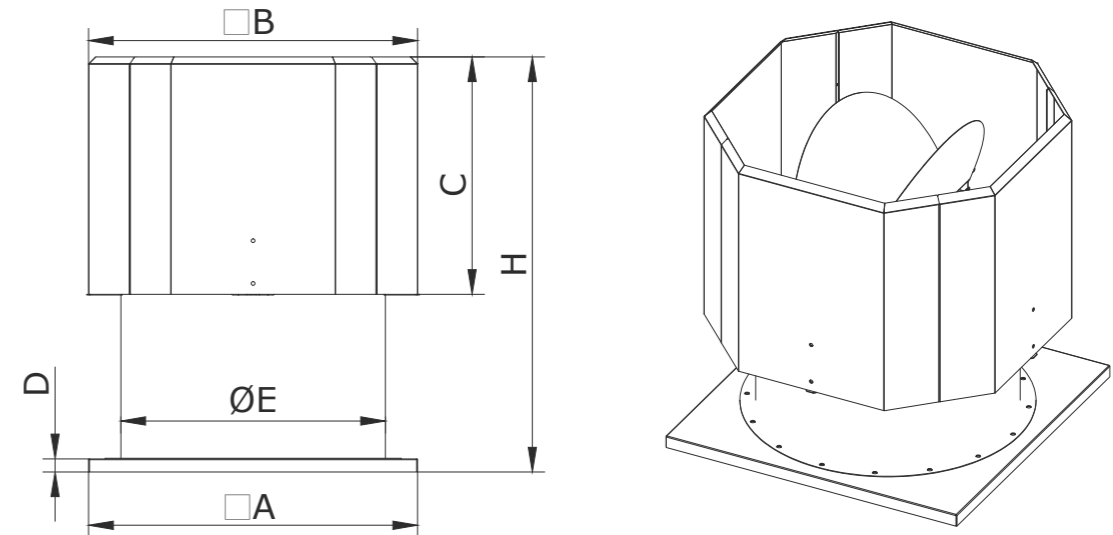


PRODUCT FEATURES

- Galvaniz sac üzeri elektrostatik fırın boyalı gövde Galvanized sheet metal with electrostatic oven drying case
- Aerofoil kesitli alüminyum kanatlar Aerofoil-sectioned aluminium blades
- En yüksek verim için ayarlanabilir kanat açısı Adjustable blade angles for maximum efficiency
- Frekans invertörü ile çalışmaya uygun trifaze motorlar Three-phased motors suitable to operate with frequency inverters
- Diş ortamda çalışmaya uygun Suitable to operative outdoor
- EN 12101-3 sertifikalı EN 12101-3 certificated
- Çatı tipi aksiyal fanlar duman tahliye gerektiren ortamlarda H izolasyon sınıfı motorlar ile EN12101-3 standardına göre ve F300, F400 sıcaklık dayanım sınıflarında sertifikalandırılmıştır. Egzoz kullanımlarına göre dizayn edilebilmektedir. Aksiyal fanlarda frekans konvertörü ile çalışmaya uygun trifaze motorlar kullanılmaktadır Roof type axial smoke exhaust fans with H class isolated motors, are certificated of F300 and F400 temperature resistance class according to EN-12101-3 to operate in where smoke extraction is required. Devices can be designed according to the usage for smoke extraction. Axial fans are equipped with three-phased motors suitable for operation with frequency inverters
- 60 Hz seçeneği mevcuttur 60 Hz option is available

TECHNICS

MODEL	CVS-RV-Ø400-0,55/2P	CVS-RV-Ø400-0,75/2P	CVS-RV-Ø400-1,1/2P	CVS-RV-Ø400-1,5/2P	CVS-RV-Ø400-2,2/2P
VOLTAGE (V)	400	400	400	400	400
FREQUENCY (Hz)	50	50	50	50	50
POWER (kw)	0,55	0,75	1,1	1,5	2,2
CURRENT (A)	1,27	1,9	2,55	3,45	4,94
SPEED (rpm)	2780	2800	2800	2835	2840
AIR FLOW (m³/h)	6000	7000	8000	9000	10500
SOUND PL (dB) 3m	63	64	64	66	68
WIRING DIAGRAM	Y	Y	Y	Y	68



DIMENSIONS

MODEL	A	B	C	D	E	H
CVS-RV-Ø400	590	590	560	40	400	900
CVS-RV-Ø450	640	640	560	40	450	900
CVS-RV-Ø500	700	700	600	40	500	940
CVS-RV-Ø560	760	760	600	40	560	940
CVS-RV-Ø630	830	830	640	40	630	1180
CVS-RV-Ø710	910	910	640	40	710	1180
CVS-RV-Ø800	1000	1000	720	40	800	1260
CVS-RV-Ø900	1100	1100	820	40	900	1460
CVS-RV-Ø1000	1200	1200	820	40	1000	1460
CVS-RV-Ø1120	1320	1320	870	40	1120	1610
CVS-RV-Ø1250	1450	1450	920	40	1250	1660



TECHNICS

MODEL	CVS-RV-Ø450-1,1/2P	CVS-RV-Ø450-1,5/2P	CVS-RV-Ø450-2,2/2P	CVS-RV-Ø450-3/2P
VOLTAGE (V)	400	400	400	400
FREQUENCY (Hz)	50	50	50	50
POWER (kW)	1,1	1,5	2,2	3
CURRENT (A)	2,55	3,45	4,94	6,5
SPEED (rpm)	2800	2835	2840	2850
AIR FLOW (m³/h)	9500	11500	12500	14250
SOUND PL (dB) 3m	62	66	67	69
WIRING DIAGRAM	Y	Y	Y	Y

MODEL	CVS-RV-Ø500-1,5/2P	CVS-RV-Ø500-2,2/2P	CVS-RV-Ø500-3/2P	CVS-RV-Ø500-4/2P	CVS-RV-Ø500-5,5/2P
VOLTAGE (V)	400	400	400	400	400
FREQUENCY (Hz)	50	50	50	50	50
POWER (kW)	1,5	2,2	3	4	5,5
CURRENT (A)	3,45	4,94	6,5	8,2	11,3
SPEED (rpm)	2835	2840	2850	2850	2870
AIR FLOW (m³/h)	11000	13000	15500	17000	20000
SOUND PL (dB) 3m	63	66	69	71	73
WIRING DIAGRAM	Y	Y	Y	D	D or Y-D

TECHNICS

MODEL	CVS-RV-Ø560-2,2/2P	CVS-RV-Ø560-3/2P	CVS-RV-Ø560-4/2P	CVS-RV-Ø560-5,5/2P	CVS-RV-Ø560-7,5/2P
VOLTAGE (V)	400	400	400	400	400
FREQUENCY (Hz)	50	50	50	50	50
POWER (kW)	2,2	3	4	5,5	7,5
CURRENT (A)	4,94	6,5	8,2	11,3	15,4
SPEED (rpm)	2840	2850	2850	2870	2890
AIR FLOW (m³/h)	14000	17000	20500	23000	26500
SOUND PL (dB) 3m	65	68	71	73	75
WIRING DIAGRAM	Y	Y	D	D or Y-D	D or Y-D

MODEL	CVS-RV-Ø630-5,5/2P	CVS-RV-Ø630-7,5/2P	CVS-RV-Ø630-11/2P	CVS-RV-Ø630-15/2P	CVS-RV-Ø630-18,5/2P
VOLTAGE (V)	400	400	400	400	400
FREQUENCY (Hz)	50	50	50	50	50
POWER (kW)	5,5	7,5	11	15	18,5
CURRENT (A)	11,3	15,4	22,4	28,5	35
SPEED (rpm)	2870	2890	2935	2940	2940
AIR FLOW (m³/h)	25500	30000	27500	31000	34250
SOUND PL (dB) 3m	72	76	77	83	85
WIRING DIAGRAM	D or Y-D	D or Y-D	D or Y-D	D or Y-D	D or Y-D



TECHNICS

MODEL	CVS-RV-Ø710-1,5/4P	CVS-RV-Ø710-2,2/4P	CVS-RV-Ø710-3/4P	CVS-RV-Ø710-4/4P	CVS-RV-Ø710-5,5/4P
VOLTAGE (V)	400	400	400	400	400
FREQUENCY (Hz)	50	50	50	50	50
POWER (kW)	1,5	2,2	3	4	5,5
CURRENT (A)	3,6	5,2	6,8	8,6	11,8
SPEED (rpm)	1385	1400	1410	1425	1430
AIR FLOW (m³/h)	19000	23000	25000	28000	30000
SOUND PL (dB) 3m	65	67	69	71	71
WIRING DIAGRAM	Y	Y	Y	D	D or Y-D

MODEL	CVS-RV-Ø800-2,2/4P	CVS-RV-Ø800-3/4P	CVS-RV-Ø800-4/4P	CVS-RV-Ø800-5,5/4P	CVS-RV-Ø800-7,5/4P
VOLTAGE (V)	400	400	400	400	400
FREQUENCY (Hz)	50	50	50	50	50
POWER (kW)	2,2	3	4	5,5	7,5
CURRENT (A)	5,2	6,8	8,6	11,8	15,8
SPEED (rpm)	1400	1410	1425	1430	1430
AIR FLOW (m³/h)	26000	30500	34000	38000	40000
SOUND PL (dB) 3m	67	69	71	73	73
WIRING DIAGRAM	Y	Y	D	D or Y-D	D or Y-D

TECHNICS

MODEL	CVS-RV-Ø900-4/4P	CVS-RV-Ø900-5,5/4P	CVS-RV-Ø900-7,5/4P	CVS-RV-Ø900-11/4P	CVS-RV-Ø900-15/4P
VOLTAGE (V)	400	400	400	400	400
FREQUENCY (Hz)	50	50	50	50	50
POWER (kW)	4	5,5	7,5	11	15
CURRENT (A)	8,6	11,8	15,8	22,6	30,5
SPEED (rpm)	1425	1430	1430	1455	1460
AIR FLOW (m³/h)	40000	44000	47500	52500	55000
SOUND PL (dB) 3m	70	71	73	76	76
WIRING DIAGRAM	D	D or Y-D	D or Y-D	D or Y-D	D or Y-D

MODEL	CVS-RV-Ø1000-7,5/4P	CVS-RV-Ø1000-11/4P	CVS-RV-Ø1000-15/4P	CVS-RV-Ø1000-18,5/4P	CVS-RV-Ø1000-22/4P
VOLTAGE (V)	400	400	400	400	400
FREQUENCY (Hz)	50	50	50	50	50
POWER (kW)	7,5	11	15	18,5	22
CURRENT (A)	15,8	22,6	30,5	38	44
SPEED (rpm)	1430	1455	1460	1460	1455
AIR FLOW (m³/h)	56000	58000	69500	66000	74000
SOUND PL (dB) 3m	73	74	78	77	79
WIRING DIAGRAM	D or Y-D	D or Y-D	D or Y-D	D or Y-D	D or Y-D



AXIAL FAN ARTS A.F.A

TECHNICS

MODEL	CVS-RV-Ø1120-15/4P	CVS-RV-Ø1120-18,5/4P	CVS-RV-Ø1120-22/4P	CVS-RV-Ø1120-30/4P	CVS-RV-Ø1120-37/4P
VOLTAGE (V)	400	400	400	400	400
FREQUENCY (Hz)	50	50	50	50	50
POWER (kw)	15	18,5	22	30	37
CURRENT (A)	30,5	38	44	57	70
SPEED (rpm)	1460	1460	1455	1460	1465
AIR FLOW (m³/h)	75000	81000	87000	98000	108000
SOUND PL (dB) 3m	76	78	79	81	83
WIRING DIAGRAM	D or Y-D	D or Y-D	D or Y-D	D or Y-D	D or Y-D

MODEL	CVS-RV-Ø1250-18,5/4P	CVS-RV-Ø1250-22/4P	CVS-RV-Ø1250-30/4P	CVS-RV-Ø1250-37/4P	CVS-RV-Ø1250-45/4P
VOLTAGE (V)	400	400	400	400	400
FREQUENCY (Hz)	50	50	50	50	50
POWER (kw)	18,5	22	30	37	45
CURRENT (A)	38	44	57	70	84
SPEED (rpm)	1460	1455	1460	1465	1465
AIR FLOW (m³/h)	86000	93000	106000	122000	128000
SOUND PL (dB) 3m	74	79	79	82	82
WIRING DIAGRAM	D or Y-D	D or Y-D	D or Y-D	D or Y-D	D or Y-D



PERFORMANCES

MODEL	AIRFLOW (m³/h)						
	0 Pa	150 Pa	300 Pa	450 Pa	600 Pa	750 Pa	900 Pa
CVS-RV-0400-0,55/2P F300	6000	5250	4000				
CVS-RV-0400-0,75/2P F300	7000	6200	4900	2500			
CVS-RV-0400-1,1/2P F300	8000	7300	5800				
CVS-RV-0400-1,5/2P F300	9000	7800	6400				
CVS-RV-0400-2,2/2P F300	10500	9300	7700				
CVS-RV-0450-1,1/2P F300	9500	8500	6750				
CVS-RV-0450-1,5/2P F300	11500	10200	8600	5600			
CVS-RV-0450-2,2/2P F300	12500	11300	9600	7000			
CVS-RV-0450-3/2P F300	14250	12700	10800				
CVS-RV-0500-1,5/2P F300	11000	10500	8100	6100			
CVS-RV-0500-2,2/2P F300	13000	12000	10200	8200			
CVS-RV-0500-3/2P F300	15500	14200	12500	10600	6800		
CVS-RV-0500-4/2P F300	17000	14900	14000	12000	8300		
CVS-RV-0500-5,5/2P F300	20000	18200	16000	12800	10200		
CVS-RV-0560-2,2/2P F300	14000	12600	10700	8750	5700		
CVS-RV-0560-3/2P F300	17000	15600	14000	11800	8900		
CVS-RV-0560-4/2P F300	20500	19000	17400	15200	12200		
CVS-RV-0560-5,5/2P F300	23000	21400	19400	15300	14600		
CVS-RV-0560-7,5/2P F300	26500	24000	22000	19700	17000		

PERFORMANCES

MODEL	AIRFLOW (m³/h)						
	0 Pa	150 Pa	300 Pa	450 Pa	600 Pa	750 Pa	900 Pa
CVS-RV-0630-5,5/2P F300	25500	24000	21600	19000	15800		
CVS-RV-0630-7,5/2P F300	30000	26000	24400	22800	21200	19400	17500
CVS-RV-0630-11/2P F300	29400	27200	24800	22000	184000	13400	
CVS-RV-0630-15/2P F300	31000	29400	27700	26000	24000	22000	19800
CVS-RV-0630-18,5/2P F300	34250	32600	31000	29000	27000	24400	21700
CVS-RV-0710-1,5/4P F300	19000	14800	7800				
CVS-RV-0710-2,2/4P F300	23000	17900					
CVS-RV-0710-3/4P F300	25000	20200					
CVS-RV-0710-4/4P F300	28000	24600	19750				
CVS-RV-0710-5,5/4P F300	30000	24000					
CVS-RV-0800-2,2/4P F300	26000	20000					
CVS-RV-0800-3/4P F300	30500	24500	13000				
CVS-RV-0800-4/4P F300	34000	29000	23000				
CVS-RV-0800-5,5/4P F300	38000	32300	20000				
CVS-RV-0800-7,5/4P F300	40000	35500	30000				
CVS-RV-0900-4/4P F300	40000	33000	24500				
CVS-RV-0900-5,5/4P F300	44000	38000	30000				
CVS-RV-0900-7,5/4P F300	47500	41500	32700				
CVS-RV-0900-11/4P F300	52500	48000	42000	30000			
CVS-RV-0900-15/4P F300	55000	50000	45500	35500			
CVS-RV-01000-7,5/4P F300	56000	50000	42500	27000			
CVS-RV-01000-11/4P F300	58000	53000	47500	38000			
CVS-RV-01000-15/4P F300	69500	62000	57000	50000			
CVS-RV-01000-18,5/4P F300	66000	64000	59600	50000			
CVS-RV-01000-22/4P F300	74000	67000	60000	48500			
CVS-RV-01120-15/4P F300	75000	69500	63000	55500	44000		
CVS-RV-01120-18,5/4P F300	81000	75500	69000	61500	50000		
CVS-RV-01120-22/4P F300	87000	82300	75000	67000	56000		
CVS-RV-01120-30/4P F300	98000	90000	82500	70000			
CVS-RV-01120-37/4P F300	108000	102000	94000	80000			
CVS-RV-01250-18,5/4P F300	86000	80000	73000	62000	46000		
CVS-RV-01250-22/4P F300	93000	87000	80000	73500	65000		
CVS-RV-01250-30/4P F300	106000	99000	90000	78000	60000		
CVS-RV-01250-37/4P F300	122000	115000	105000	93000	68000		
CVS-RV-01250-45/4P F300	128000	121000	114000	105000	92000		