

## VERTICAL EC ROOF FANS

ENERGY  
EFFICIENT  
LONG LIFE

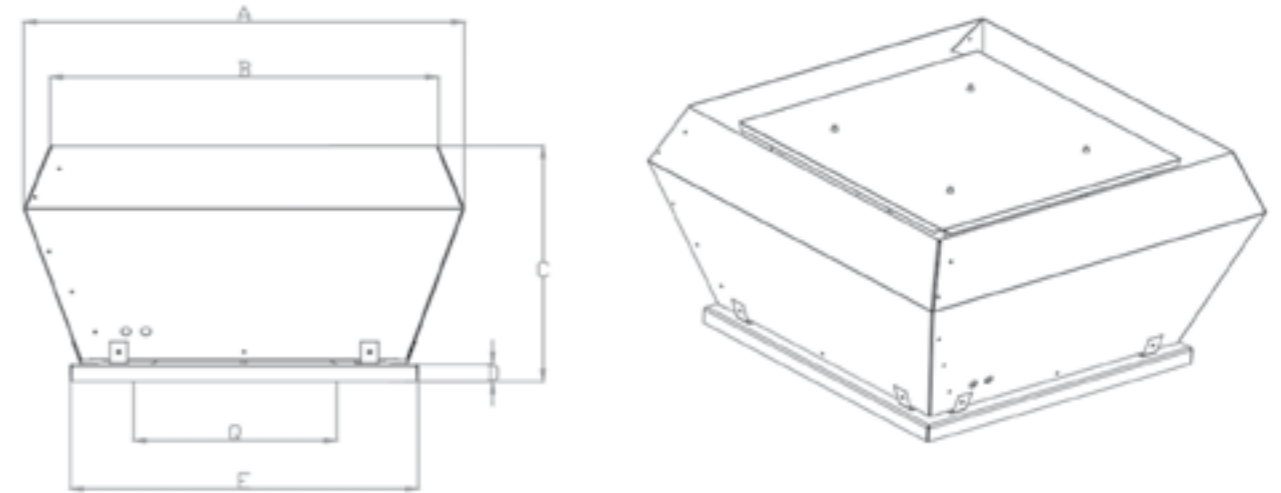


### PRODUCT FEATURES

- EC kontrolü Integrated control system
- EC teknoloji sayesinde işletme tasarrufu Complete system with minimal operating costs by usage of EC technology
- Basit ve ayarlanabilir sistem Simple setting and adjustment of the complete system
- Dahili fark basınç sensörü Differential pressure sensor
- Kademesiz hız Non-gradual speed
- On-off bakım şalteri Maintenance on-off switch
- Geriye eğik kanatlı Backward curved impeller

### TECHNICS

MODEL	RV EC 250	RV EC 280	RV EC 315	RV EC 355	RV EC 400	RV EC 500	RV EC 560	RV EC 630
VOLTAGE (V)	230	230	230	230	380	380	380	380
FREQUENCY (Hz)	50	50	50	50	50	50	50	50
POWER (kW)	0,08	0,168	0,45	0,5	1,32	2,6	2,36	2,8
CURRENT (A)	0,7	1,4	2	2,2	2,1	4	3,65	4,2
SPEED (rpm)	1955	1910	2180	1850	2060	1700	1540	1300
AIR FLOW (m <sup>3</sup> /h)	1060	2650	2990	4310	6420	11000	12750	15500
SOUND PL (dB) A 3m	53	62	61	62	68	70	71	70



### DIMENSIONS

MODEL	A	B	C	D	E	Ø
RV EC 250	537	460	323	35	447	221
RV EC 280	537	460	323	35	447	244
RV EC 310	672	595	398	35	527	284
RV EC 355	672	595	398	35	527	300
RV EC 400	887	785	487	35	701	343
RV EC 500	887	785	487	35	701	404
RV EC 560	1148	1044	570	35	899	526
RV EC 630	1148	1044	570	35	899	595



PERFORMANCES

MODEL	AIRFLOW ( m <sup>3</sup> /h )			
	0 Pa	100 Pa	200 Pa	300 Pa
RV EC 250	1060	944	665	382
RV EC 280	2650	2210	1460	990
RV EC 310	2990	2870	2400	2100
RV EC 355	4310	4190	3690	3150
RV EC 400	6420	6260	5980	5690
RV EC 500	11000	10650	10480	9600
RV EC 560	12750	12350	11700	10900
RV EC 630	15500	15120	14450	13400

BUTTERFLY  
EFFECTS

